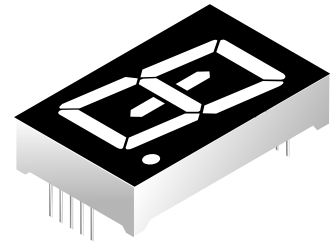
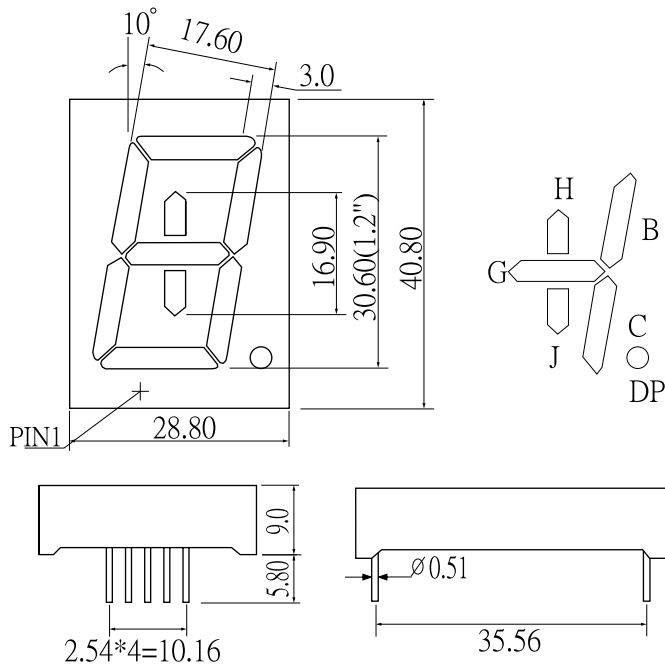
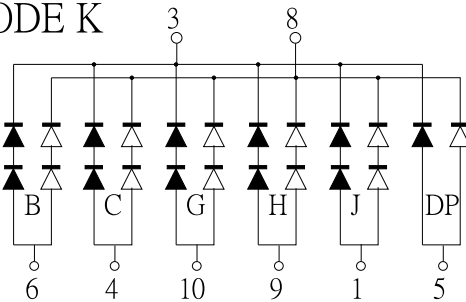


KT11202



CODE K



2 & 7 NO PIN

⬇️ = GREEN

⬆️ = ORANGE

CODE H

