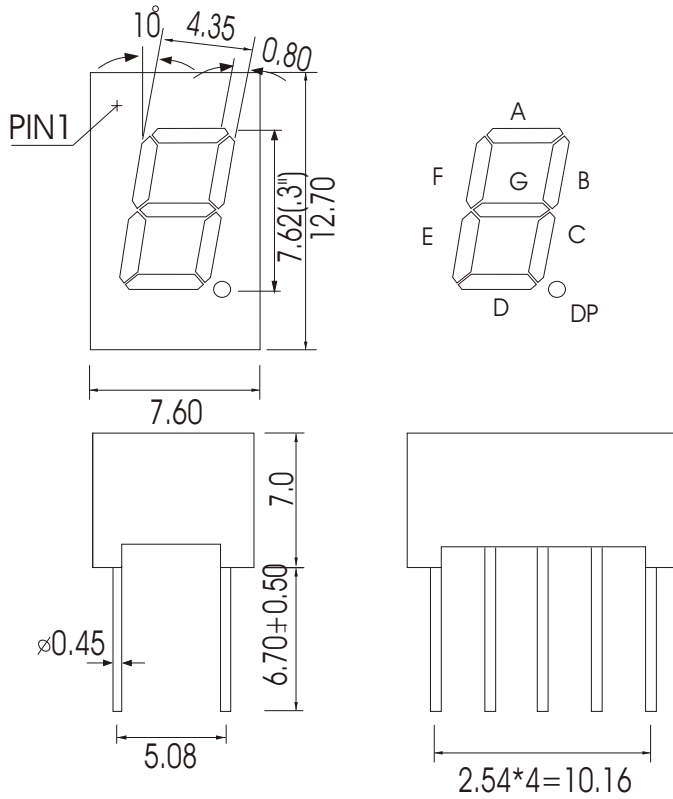


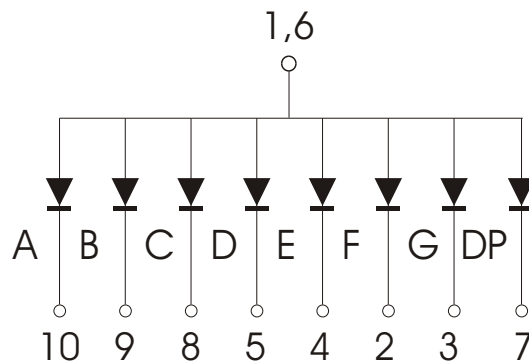
## KT10303AC0B



### Features

- 0.30 inch digit height
- Low power requirement
- I.C. Compatible
- Easy assembly
- RoHs compliant
- Wide viewing angle
- End stack able
- Gray surface
- White segments
- Common Anode

## CODE A



### Code:C High Bright Red (AlGaAs/GaAs)

| Parameter  | Symbol          | Condition | Min.             | Typ. | Max. | Unit |
|--|-----------------|-----------|------------------|------|------|------|
| Forward Voltage (Per dice)   | Vf              | If=20mA   | 1.70             |      | 2.20 | V    |
| Reverse Voltage (Per dice)   | Vr              | Ir=10uA   |                  | 5    |      | V    |
| Luminous Intensity (Per dice)  | Iv              | If=20mA   | 9.5              | 12   | 14   | mcd  |
| Spectrum Width Of Half Value   | $\Delta\lambda$ | If=20mA   |                  | 22   |      | nm   |
| Wavelength   | D $\lambda$     | If=20mA   | 641              |      | 645  | nm   |
| Peak Forward Current (Per dice)<br>1/10 Duty Cycle,0.1ms Pulse       | Ifp             |           | 70               |      |      | mA   |
| Operating Temperature Range  | Topr            |           | - 35 °C to 85 °C |      |      |      |
| Storage Temperature Range  | Tstg            |           | - 35 °C to 85 °C |      |      |      |
| Solder Temperature 1.5mm below seating plane for 3 Seconds at 260 °C |                 |           |                  |      |      |      |

Absolute Maximum Rating at Ta=25°C

Fig.1



Fig.2

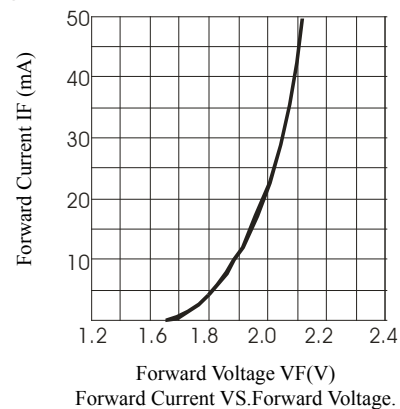


Fig.3

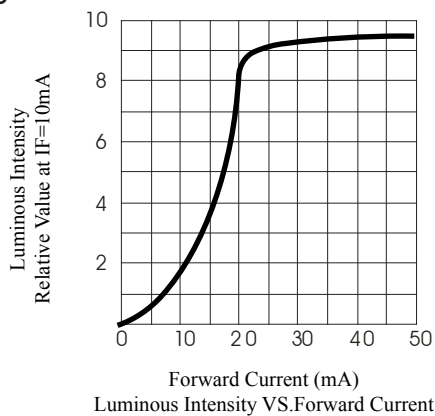


Fig.4



### Wave Soldering for Lead-Free Through-hole LED



1.5mm below package base

|                    |                     |
|--------------------|---------------------|
| Solder Temperature | 260°C for 5 Seconds |
|--------------------|---------------------|

### Lead-free SMT process



|                         |                     |
|-------------------------|---------------------|
| Lead solder Temperature | 235°C for 5 Seconds |
|-------------------------|---------------------|

Notes: Recommend the wave temperature max. 235°C.

Do not apply stress on the epoxy when temperature over 80°C.

No more than once.