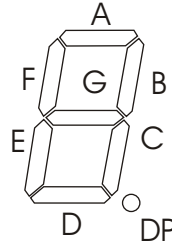
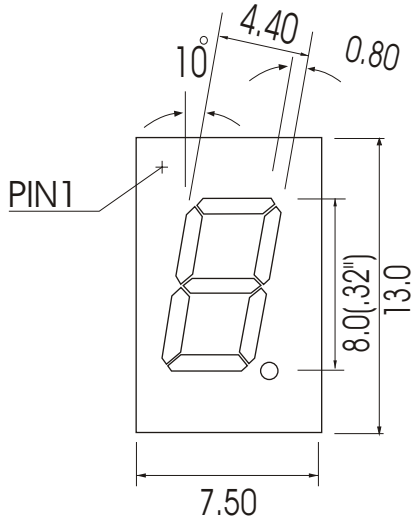
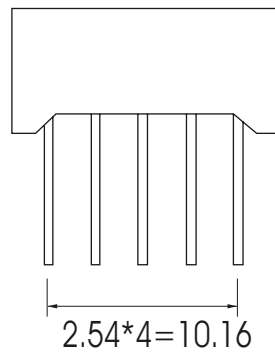
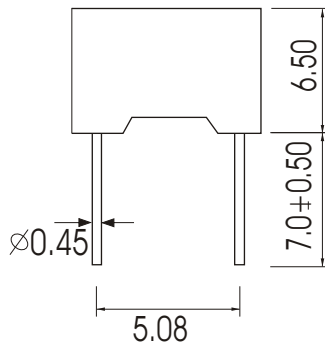


## KT10321DBHOB

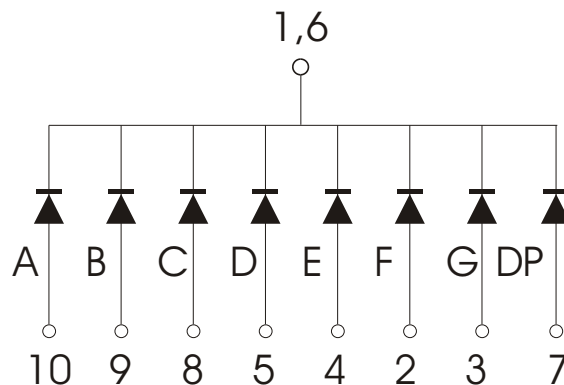


### Features

- 0.32 inch digit height
- Low power requirement
- I.C. Compatible
- Easy assembly
- RoHs compliant
- Wide viewing angle
- End stack able
- Gray surface
- White segments
- Common Cathode



## CODE D



Notes: 1. All dimensions are in millimeter (inches), tolerance is 0.25mm unless otherwise noted.  
2. Specifications are subject to change without notice.

### Code: BH High Blue (Gan)

| Parameter  | Symbol           | Condition            | Min. | Typ. | Max. | Unit |
|--|------------------|----------------------|------|------|------|------|
| Forward Voltage (Per dice)   | V <sub>f</sub>   | I <sub>f</sub> =20mA | 3.0  |      | 3.6  | V    |
| Reverse Voltage (Per dice)   | V <sub>r</sub>   | I <sub>r</sub> =10uA |      | 5    |      | V    |
| Luminous Intensity (Per dice)  | I <sub>v</sub>   | I <sub>f</sub> =20mA |      | 35.0 |      | mcd  |
| Spectrum Width Of Half Value   | Δλ               | I <sub>f</sub> =20mA |      | 22   |      | nm   |
| Wavelength   | Dλ               | I <sub>f</sub> =20mA |      | 477  |      | nm   |
| Peak Forward Current (Per dice)<br>1/10 Duty Cycle, 0.1ms Pulse      | I <sub>fp</sub>  |                      | 100  |      |      | mA   |
| Operating Temperature Range  | T <sub>opr</sub> | - 35 °C to 85 °C     |      |      |      |      |
| Storage Temperature Range  | T <sub>stg</sub> | - 35 °C to 85 °C     |      |      |      |      |
| Solder Temperature 1.5mm below seating plane for 3 Seconds at 260 °C |                  |                      |      |      |      |      |

Absolute Maximum Rating at Ta=25°C

Fig.1



Fig.2



Fig.3

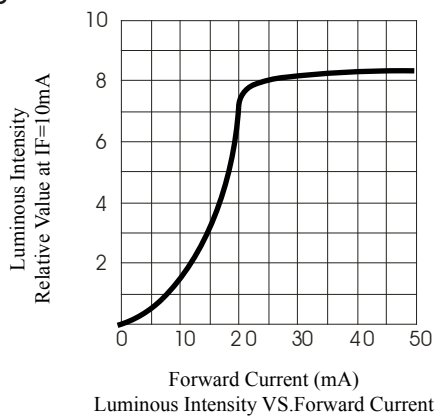


Fig.4



### Wave Soldering for Lead-Free Through-hole LED



1.5mm below package base

|                    |                     |
|--------------------|---------------------|
| Solder Temperature | 260°C for 5 Seconds |
|--------------------|---------------------|

### Lead-free SMT process



|                         |                     |
|-------------------------|---------------------|
| Lead solder Temperature | 235°C for 5 Seconds |
|-------------------------|---------------------|

Notes: Recommend the wave temperature max. 235 °C.

Do not apply stress on the epoxy when temperature over 80 °C.

No more than once.