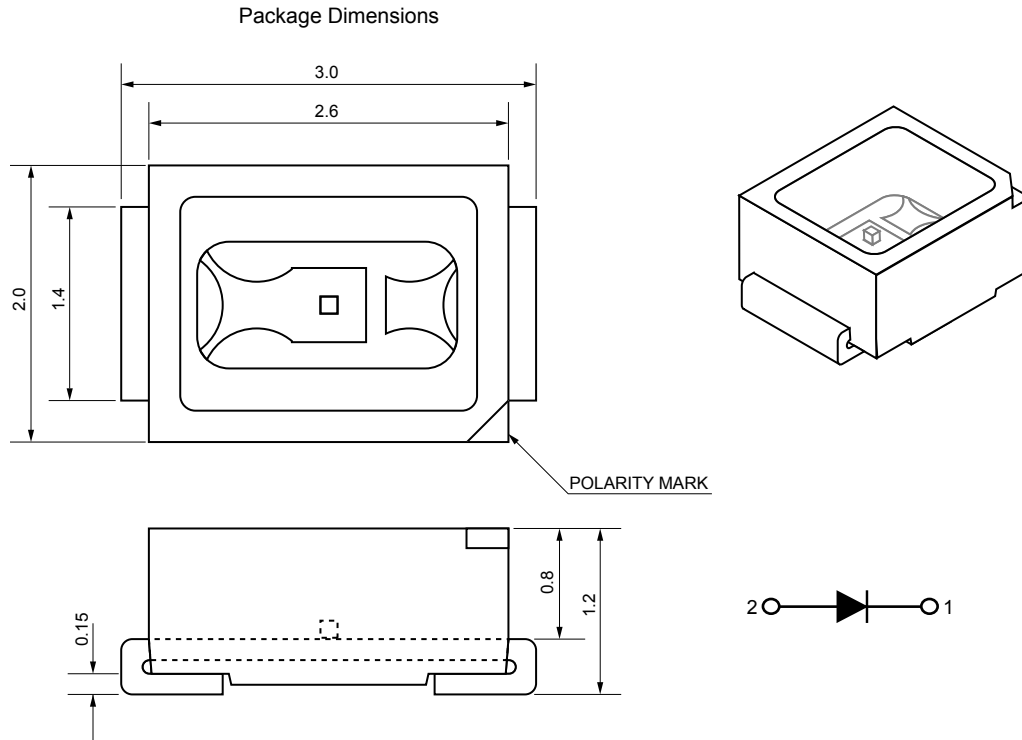


KTD313UYC



Dice	Yellow (InGaAlP)	Lens Type	Water Clear
------	------------------	-----------	-------------

Absolute Maximum Rating at (Ta=25°C)

Parameter	Symbol	Maximum Rating	Unit
Power Dissipation	Pd	70	mW
Forward Current	If	30	mA
Peak Forward Current Per chip *	Ifp	160	mA
Operating Temperature Range	Topr	- 40 °C to + 85 °C	
Storage Temperature Range	Tstg	- 40 °C to + 85 °C	
Solder Temperature 1/16 Inch Below Seating Plane for 3 seconds at 260°C			

* Condition for Ifp is pulse of 1/10 Duty Cycle, 0.1ms Pulse Width

Electrical/Optical Characteristics at Ta=25°C

Parameter	Symbol	Condition	Min	Typ	Max	Unit
Forward Voltage	Vf	If=20mA	1.6	1.9		V
Reverse Current	Ir	Vr=5V			5	uA
Luminous Intensity	Iv	If=20mA	200	350		mcd
Spectrum Width of Half Value	Δλ	If=20mA				nm
Wavelength	λd	If=20mA		590		nm
Viewing Angle	2Θ1/2			120		0°