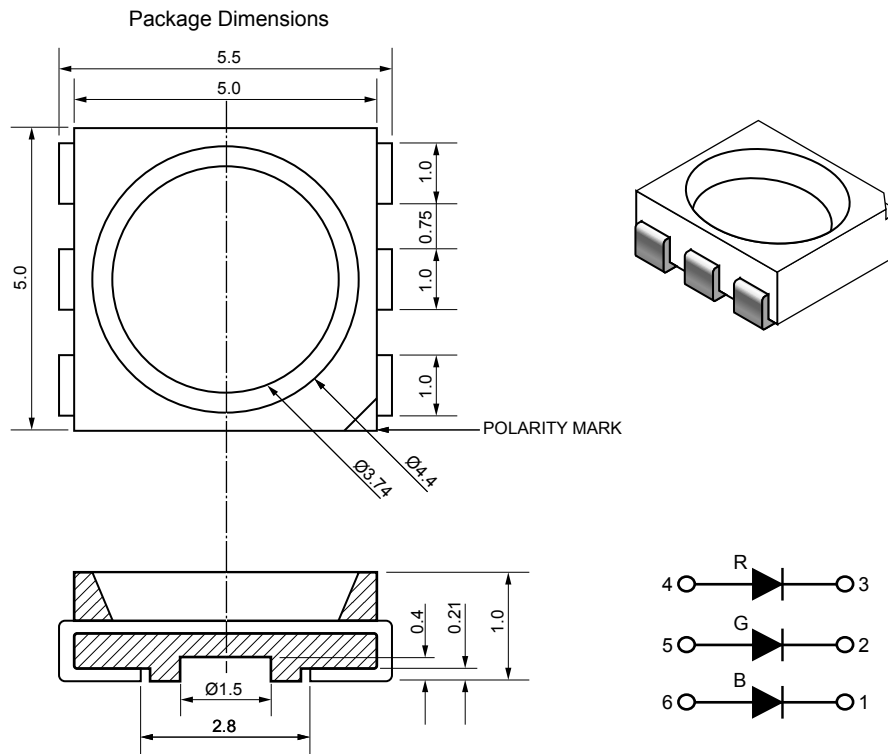


### KTD314RGBC



Dice	Red (InGaAlP) Green (GaP) Blue (GaN)	Lens Type	Water Clear
------	--	-----------	-------------

#### Absolute Maximum Rating at (Ta=25°C)

Parameter	Symbol	Red	Green	Blue	Unit
Power Dissipation	Pd	70	90	110	mW
Forward Current	If	30	25	30	mA
Peak Forward Current Per chip *	I <sub>fp</sub>	160	150	160	mA
Operating Temperature Range	Topr	- 40 °C to + 85 °C			
Storage Temperature Range	Tstg	- 40 °C to + 85 °C			

Solder Temperature 1/16 Inch Below Seating Plane for 3 seconds at 260 °C

\* Condition for I<sub>fp</sub> is pulse of 1/10 Duty Cycle, 0.1ms Pulse Width

#### Electrical/Optical Characteristics at Ta=25°C

Parameter	Symbol	Condition	Red		Green		Blue		Unit
			Min	Typ	Max	Min	Typ	Max	
Forward Voltage	V <sub>f</sub>	I <sub>f</sub> =20mA	1.6	1.9	3.0	3.2	3.0	3.2	V
Reverse Current	I <sub>r</sub>	V <sub>r</sub> =5V		5		5		5	uA
Luminous Intensity	I <sub>v</sub>	I <sub>f</sub> =20mA	160	250	460	650	90	150	mcd
Spectrum Width of Half Value	$\Delta\lambda$	I <sub>f</sub> =20mA							nm
Wavelength	$\lambda_d$	I <sub>f</sub> =20mA	621	624	515	518	464	468	nm
Viewing Angle	2 $\theta$ 1/2		100						0°