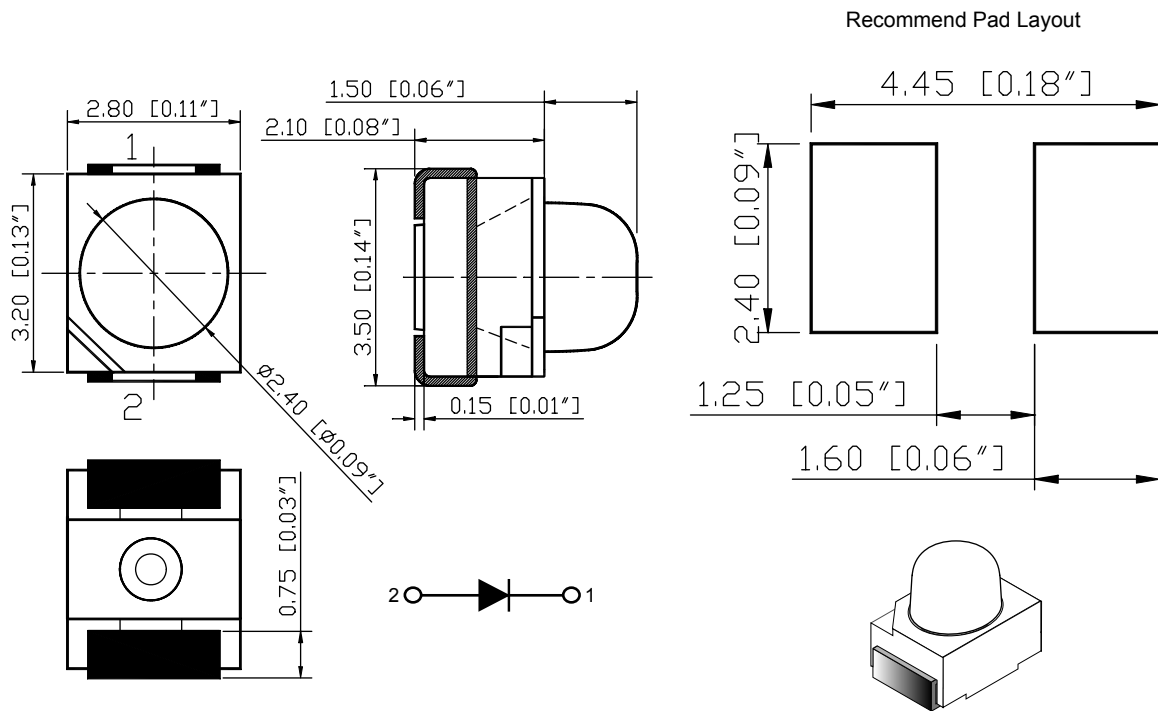


KTD315AC-U



Dice	Red (AlGaAs/GaAs)	Lens Type	Water transparent
------	-------------------	-----------	-------------------

Absolute Maximum Rating at (Ta=25°C)

Parameter	Symbol	Maximum Rating	Unit
Power Dissipation	Pd	69	mW
Forward Current	If	30	mA
Peak Forward Current Per chip *	Ifp	125	mA
Operating Temperature Range	Topr	- 40 °C to + 85 °C	
Storage Temperature Range	Tstg	- 40 °C to + 85 °C	
Solder Temperature 1/16 Inch Below Seating Plane for 3 seconds at 260°C			

* Condition for Ifp is pulse of 1/10 Duty Cycle, 0.1ms Pulse Width

Electrical/Optical Characteristics at Ta=25°C

Parameter	Symbol	Condition	Min	Typ	Max	Unit
Forward Voltage	Vf	If=20mA	1.7		2.3	V
Reverse Current	Ir	Vr=5V			10	uA
Luminous Intensity	Iv	If=20mA	50			mcd
Spectrum Width of Half Value	$\Delta\lambda$	If=20mA		20		nm
Wavelength	λ_p	If=20mA		655		nm
	λ_d	If=20mA	635		650	nm
Viewing Angle	2 θ 1/2			30		0°