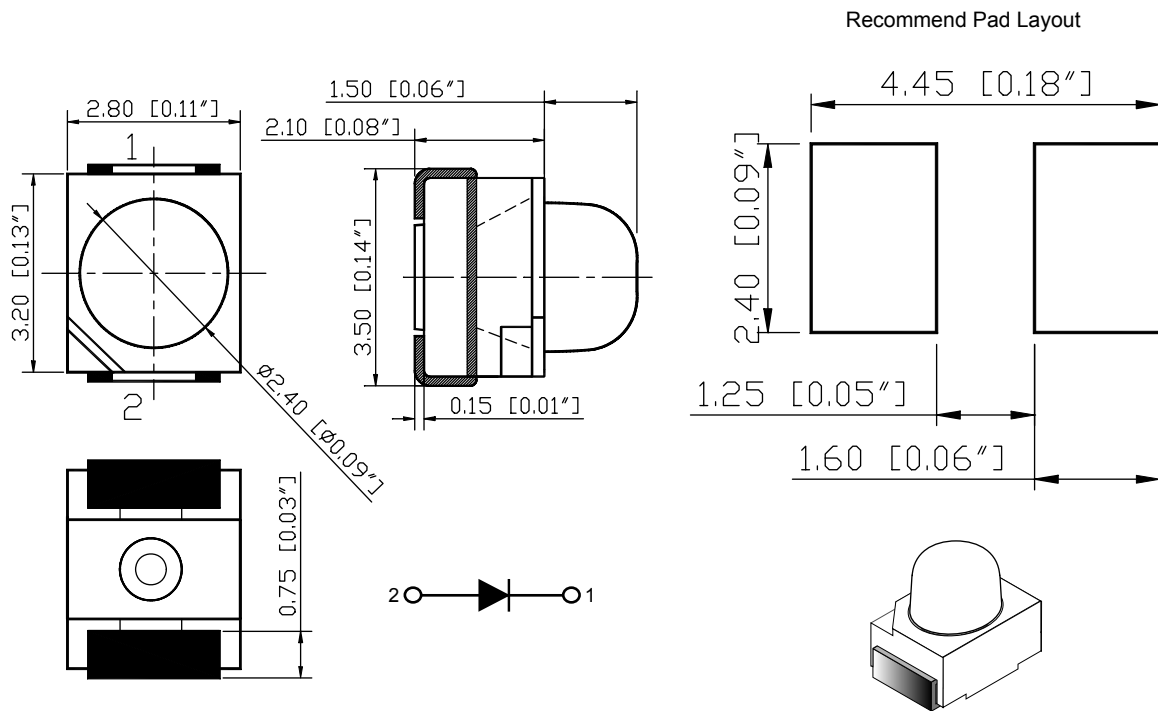


KTD315IC-U



| | | | |
|------|-------------------|-----------|-------------------|
| Dice | Yellow(AlGaInp) | Lens Type | Water transparent |
|------|-------------------|-----------|-------------------|

Absolute Maximum Rating at (Ta=25°C)

| Parameter | Symbol | Maximum Rating | Unit |
|-------------------------------------------------------------------------|--------|--------------------|------|
| Power Dissipation | Pd | 81 | mW |
| Forward Current | If | 30 | mA |
| Peak Forward Current Per chip * | Ifp | 125 | mA |
| Operating Temperature Range | Topr | - 40 °C to + 85 °C | |
| Storage Temperature Range | Tstg | - 40 °C to + 85 °C | |
| Solder Temperature 1/16 Inch Below Seating Plane for 3 seconds at 260°C | | | |

* Condition for Ifp is pulse of 1/10 Duty Cycle, 0.1ms Pulse Width

Electrical/Optical Characteristics at Ta=25°C

| Parameter | Symbol | Condition | Min | Typ | Max | Unit |
|------------------------------|--------|-----------|------|-----|-----|------|
| Forward Voltage | Vf | If=20mA | 2.2 | | 2.7 | V |
| Reverse Current | Ir | Vr=5V | | | 10 | uA |
| Luminous Intensity | Iv | If=20mA | 4000 | | | mcd |
| Spectrum Width of Half Value | Δλ | If=20mA | | 20 | | nm |
| Wavelength | λp | If=20mA | | 595 | | nm |
| | λd | If=20mA | 583 | 590 | 595 | nm |
| Viewing Angle | 2Θ1/2 | | | 30 | | 0° |