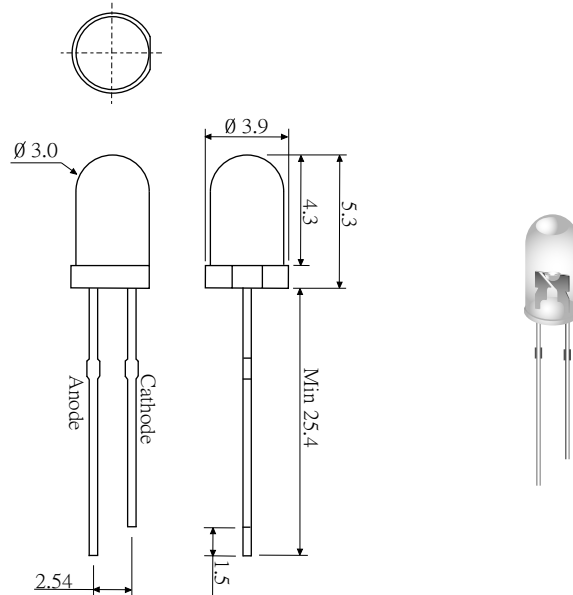


## KTLO3RE940CI



NOTE: TOLERANCE +/- 0.2mm

- \* ABSOLUTE MAXIMUM RATINGS: ( $T_a=25^{\circ}\text{C}$ )
- \* OPERATING TEMPERATURE:  $-55^{\circ}\text{C}$  TO  $+100^{\circ}\text{C}$
- \* LEAD SOLDERING :  $260^{\circ}\text{C}$  FOR 5 SECONDS

PARAMETER	TEST CONDITION	Symbol	MIN.	TYP.	MAX.	UNIT
REVERSE BREAK DOWN VOLTAGE	$I_R=100\mu\text{A}$	$B_{VR}$	30			v
REVERSE DARK CURRENT	$V_R=10\text{V}$	$I_D$			30	nA
LIGHT CURRENT	$V_R=5\text{V}$	$I_n$		60		$\mu\text{A}$
POWER DISSIPATION		$P_d$		100		mW
WAVELENGTH OF PEAK SENSITIVITY		$\lambda_p$		940		nm
RANG OF SPECTRAL BANDWIDTH		$\lambda_{0.5}$		400-1200		nm