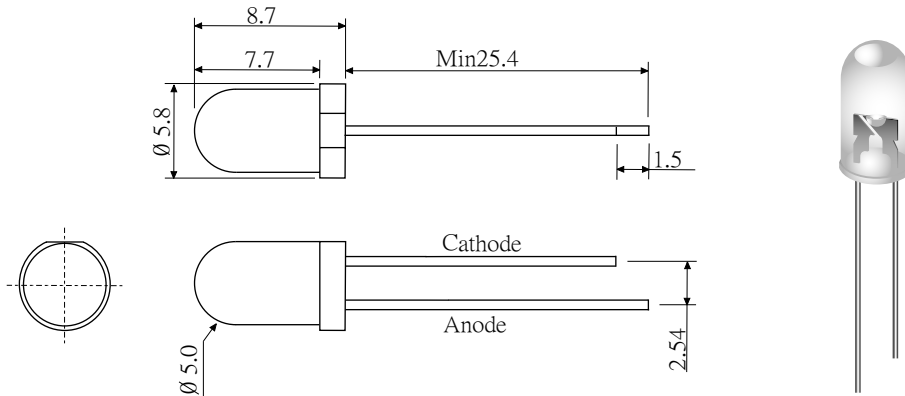


KTL050CDI-12V



5mm with Red with 12V Resistor Dice.
Encapsulated with Red Diffused Color Package.
Long Leads.

Absolute Maximum Ratings:

Parameter	Maximum Rating	Unit
Peak Forward Current	120	mA
Continuous Forward Current	30	mA
Operating Temperature Range	-20 °C to 75°C	
Storage Temperature Range	-40 °C to 100°C	
Lead Soldering Temperature	260°C for 5 seconds	

Electro-Optical Characteristics (Ta=25°C)

Parameter	Radiant	Test Condition	Symbol	Min	Typ	Max	Unit
Forward Voltage		If=20mA	Vf		12		V
Reverse Current		Vr=5V	Ir	5			uA
Luminous Intensity		If=20mA	Iv		300		mcd
Spectral Bandwidth		If=20mA	$\Delta\lambda$				nm
Wavelength		If=20mA	λ_p		650		nm
			λ_d		640		nm
Half View Angle		If=20mA	2 Θ 1/2		80°		deg