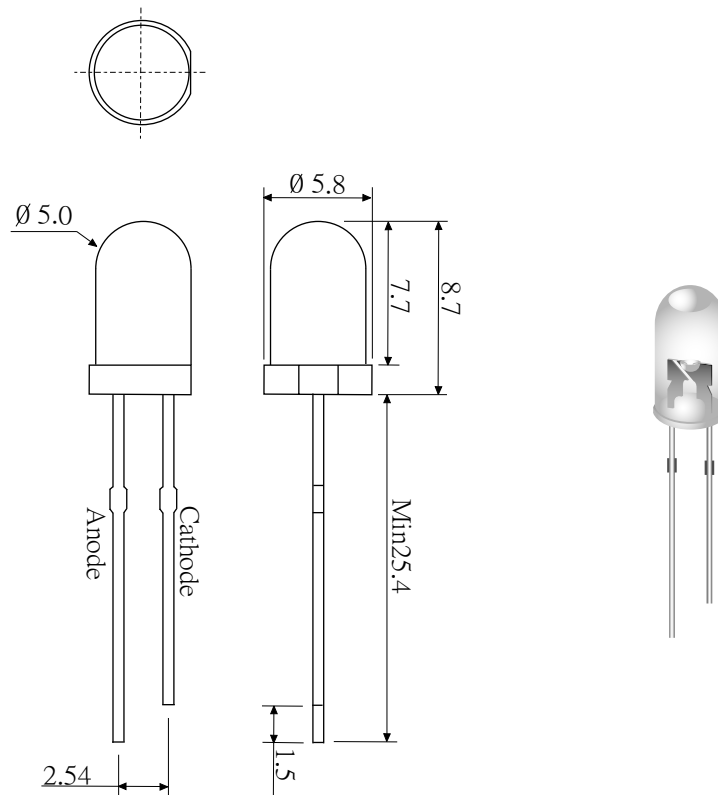


KTL050FCI-24V



- * 5mm with Orange dice with 24v Resister.
- * Encapsulated with Water Clear package.
- * long leads.

Absolute Maximum Ratings:

| Parameter | Maximum Rating | Unit |
|-----------------------------|---------------------|------|
| Peak Forward Current | 120 | mA |
| Continuous Forward Current | 30 | mA |
| Operating temperature Range | -20°C + 75°C | |
| Storage Temperature Range | -40°C + 100°C | |
| Lead Soldering Temperature | 260°C for 5 seconds | |

Electre-Optical Characterure (Ta=25°C)

| Parameter Radiant | Test Condition | Symbol | Min. | Typ. | Max. | Unit |
|--------------------|----------------|-----------------|------|------|------|------|
| Forward Voltage | If=10mA | Vf | | 24 | | V |
| Reverse Current | Vr=5V | Ir | | | 10 | uA |
| Luminous Intensity | If=10mA | Iv | | 700 | | mcd |
| Spectral Bandwidth | If=10mA | $\Delta\lambda$ | | 30 | | nm |
| Wavelength | If=10mA | λ_p | | 605 | | nm |
| | | λ_d | | 608 | | nm |
| Half View Angle | If=10mA | 2 θ 1/2 | | 30 | | deg |