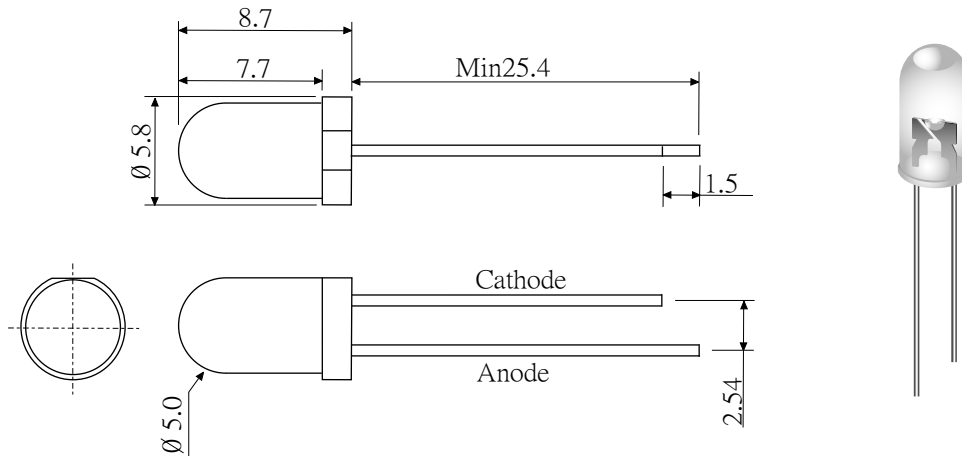


### KTL05UVCI-3



- \* 5mm Blue dice.
- \* Encapsulated with Water Clear package.
- \* long leads.

#### Absolute Maximum Ratings:

Parameter	Maximum Rating	Unit
Peak Forward Current	120	mA
Continuous Forward Current	30	mA
Operating temperature Range	-20°C + 75°C	
Storage Temperature Range	-40°C + 100°C	
Lead Soldering Temperature	260°C for 5 seconds	

#### Electre-Optical Characterature (Ta=25°C)

Parameter Radiant	Test Condition	Symbol	Min.	Typ.	Max.	Unit
Forward Voltage	If=20mA	Vf	3.00	3.80	4.50	V
Reverse Current	Vr=5V	Ir			10	uA
Luminous Intensity	If=20mA	Iv	100	150	200	mcd
Spectral Bandwidth	If=20mA	Δλ		30		nm
Wavelength	If=20mA	λp	395	400	414	nm
		λd				nm
Half View Angle	If=20mA	2θ 1/2		15-20		deg