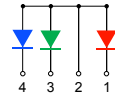
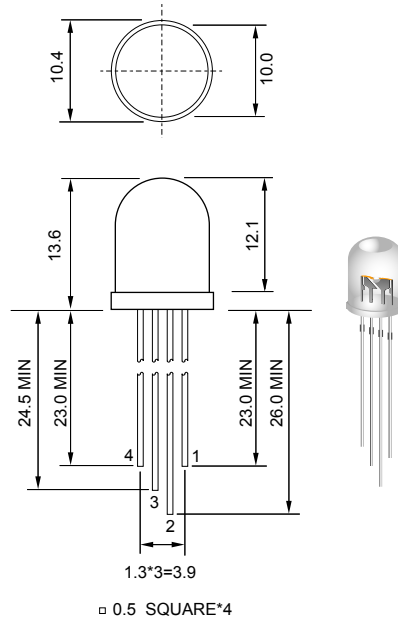


KTL 100RGB

Note:

1. Red
2. Common
3. Green
4. Blue



EMTTING COLOR	U-B Blue /U-B Green/U-B RED
MATERIAL	InGaN/InGaN/GaAlAs

Electro-Optical Characteristic (Ta=+25°C)

PARAMETER	SYMBEL	CONDITIONS	MIN.	TYP.	MAX.	UNIT
FORWAED VOLTAGE	VF (B/G/R)	IF=20mA	3.0 / 3.0 / 1.8	3.3 / 3.3 / 1.95	3.8 / 3.8 / 2.45	
REVERSE CURRENT	IR	VR=5V			10	uA
LUMINOUS INTENSITY	IV (B/G/R)	IF=20mA	1200 / 4000 / 800	1500 / 6000 / 1200	2000/ 8000 /2000	mcd
DOMINANT WAVELENGTH	λ D (B/G/R)	IF=20mA	460 / 510 / 625	465 / 513 / 630	470 / 515 / 635	nm
SPECTRUM WHIN OF HALF VALUE	$\Delta\lambda$ (B/G/R)	IF=20mA		30 / 30 / 25		nm
VIEWING ANGEL	$\Delta \theta$	IF=20mA		40		deg

ABSOLUTE MAXIMIMUM RATINGS (Ta=+25°C)

Reverse Voltage (V)	Continuous forward current(mA)	Peak forward current(mA)	Power Dissipation (mW)	Operation Temperature Range(°C)	Storage Temperature Range(°C)
10	40	80	100	- 20 ~ 80	- 40 ~ 100