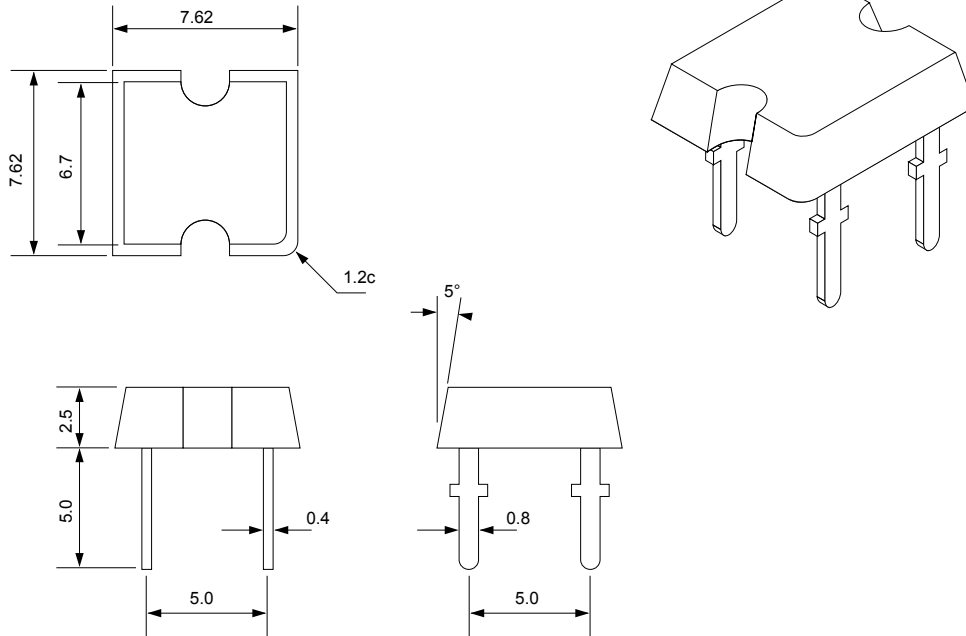


KTL75FC-S 120VA



Unit: mm

- * Orange Color Dice.
- * Encapsulated with Water Clear Package.

Absolute Maximum Ratings.

Parameter	Symbol	Maximum Rating	Unit
Power Dissipation	Pd	40	mW
Peak Forward Current	I _{fp}	160	mA
Continuous Forward Current	I _f	20	mA
Operating Temperature Range	T _{opr}	-25°C to +80°C	
Storage Temperature Range	T _{stg}	-40°C to +80°C	
Lead Soldering Temperature	T _{stg}	260°C for 5 seconds	

* IFP Conditions: Pulse width ≤ 10 msec duty ≤ 1/10 * T_{sol} Conditions: 3mm from the base of the epoxy bulb.

Electro-Optical Characterure (T_a=25°C)

Parameter Radiant	Test Condition	Symbol	Min.	Typ.	Max.	Unit
Forward Voltage	I _f =20mA	V _f		2.0	2.4	V
Reverse Current	V _r =5V	I _r			10	uA
Luminous Intensity	I _f =20mA	I _v		250		mcd
Spectral Bandwidth	I _f =20mA	Δλ				nm
Wavelength	I _f =20mA	λ _p		607		nm
		λ _d				nm
Half View Angle	I _f =20mA	2Θ 1/2		120		deg

1. Absolute maximum ratings T_a=25°C

2. Tolerance of measurement of forward voltage ±0.1V

3. Tolerance of measurement of peak Wavelength ±2.0nm

4. Tolerance of measurement of luminous intensity ±15%