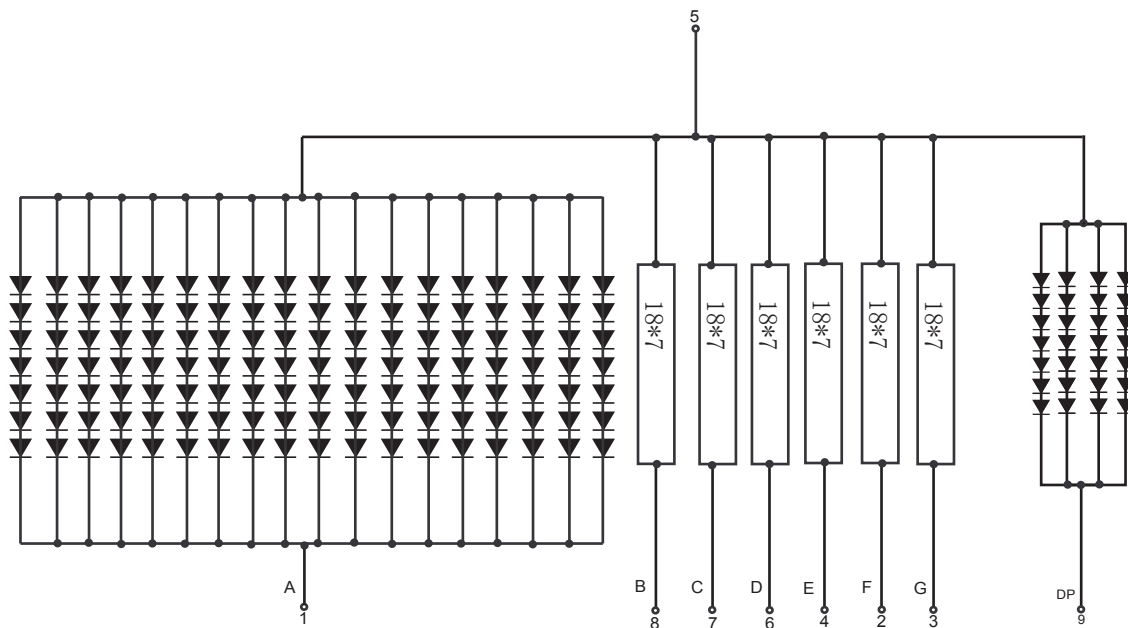
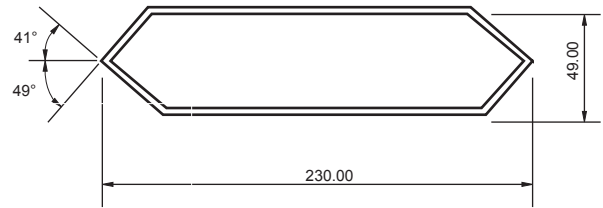
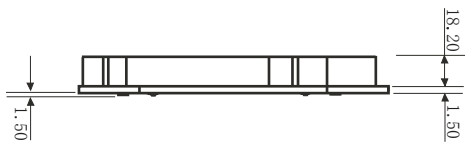
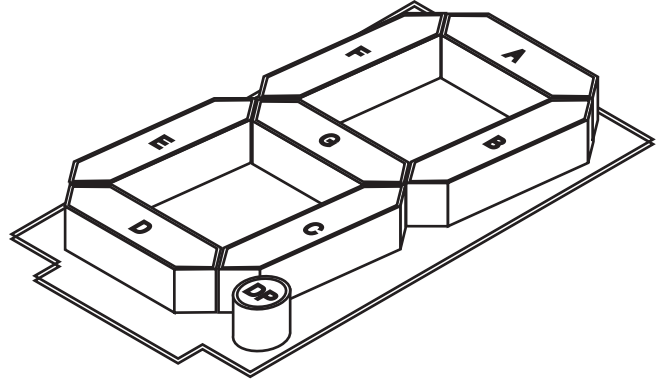
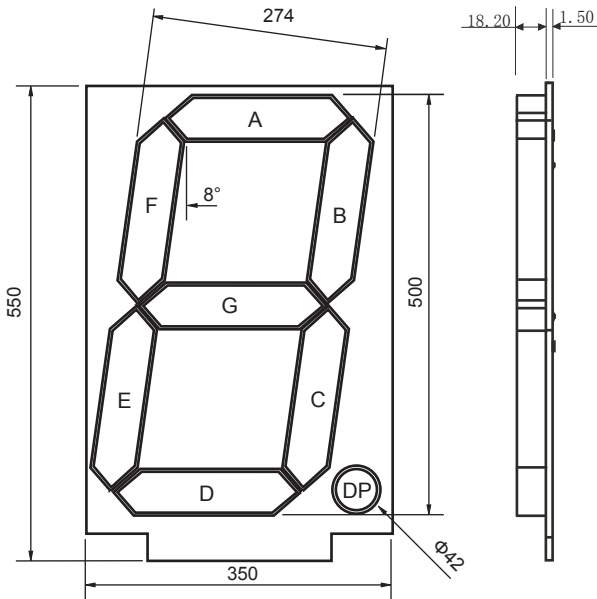
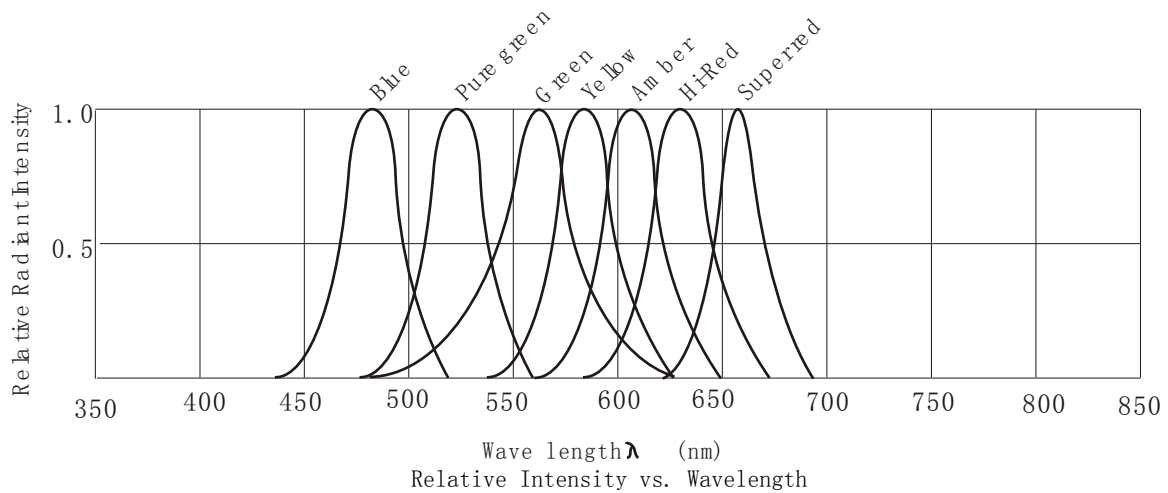


## KTM10B





## SEGMENT

| Parameter   | Symbol         | Condition             | Min. | Typ . | Max. | Unit |
|---|----------------|-----------------------|------|-------|------|------|
| Forward Voltage   | V <sub>f</sub> | I <sub>f</sub> =360mA | 21.0 |       | 21.8 | V    |
| Reverse Voltage   | V <sub>r</sub> | I <sub>r</sub> =10uA  | 5.0  |       |      | V    |
| Luminous Intensity  | I <sub>v</sub> | I <sub>f</sub> =360mA | 5.98 |       |      | cd   |
| Spectrum With Of Half Value   | Δλ             | I <sub>f</sub> =360mA | 22   |       |      | nm   |
| Wavelength  | D λ            | I <sub>f</sub> =360mA | 465  | 466   | 467  | nm   |
| Operating Temperature Range   |                | -35°C to 85°C         |      |       |      |      |
| Storage Temperature Range   |                | -35°C to 85°C         |      |       |      |      |
| Solder Temperature 1.5mm below seating plane for 3 Seconds at 260°C |                |                       |      |       |      |      |

## DOT

| Parameter   | Symbol         | Condition            | Min. | Typ . | Max. | Unit |
|---|----------------|----------------------|------|-------|------|------|
| Forward Voltage   | V <sub>f</sub> | I <sub>f</sub> =80mA | 21.0 |       | 21.8 | V    |
| Reverse Voltage   | V <sub>r</sub> | I <sub>r</sub> =10uA | 5.0  |       |      | V    |
| Luminous Intensity  | I <sub>v</sub> | I <sub>f</sub> =80mA | 5.98 |       |      | cd   |
| Spectrum With Of Half Value   | Δλ             | I <sub>f</sub> =80mA | 22   |       |      | nm   |
| Wavelength  | D λ            | I <sub>f</sub> =80mA | 465  | 466   | 467  | nm   |
| Operating Temperature Range   |                | -35 C to 85°C        |      |       |      |      |
| Storage Temperature Range   |                | -35°C to 85°C        |      |       |      |      |
| Solder Temperature 1.5mm below seating plane for 3 Seconds at 260°C |                |                      |      |       |      |      |

Absolute Maximum Rating at Ta=25°C

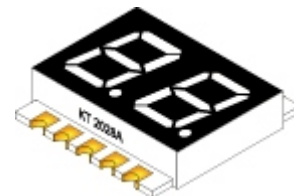
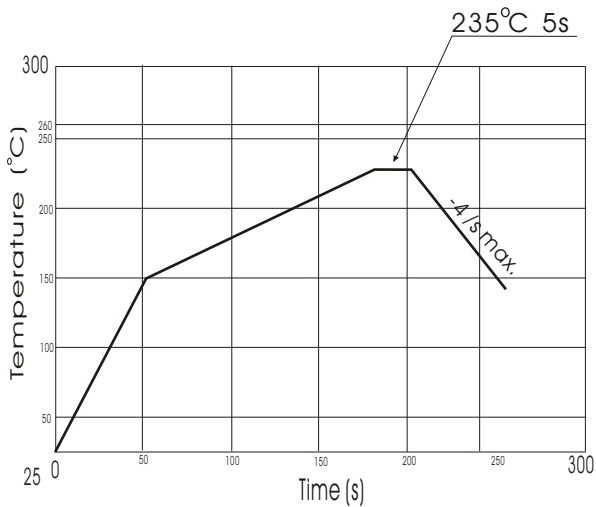
### Wave Soldering for Lead-Free Through-hole LED



1.5mm below package base

|                    |                     |
|--------------------|---------------------|
| Solder Temperature | 260°C for 3 Seconds |
|--------------------|---------------------|

### Lead-free SMT process



|                         |                     |
|-------------------------|---------------------|
| Lead solder Temperature | 235°C for 5 Seconds |
|-------------------------|---------------------|

Notes: Recommend the wave temperature max. 235°C.  
 Do not apply stress on the epoxy when temperature over 80°C.  
 No more than once.